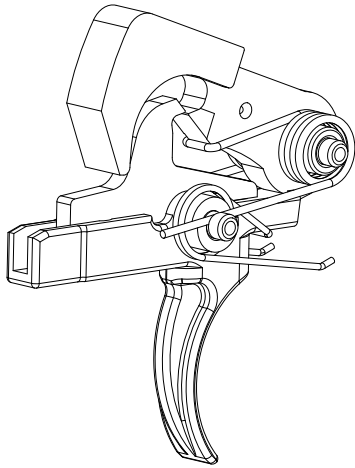


Quality Mil-Spec (QMS) Trigger Installation Instructions



ALG Defense

READ THIS FIRST

Firearm safety is **YOUR** responsibility. You must memorize and put into practice the 4 Rules of Firearm Safety.

1. Assume every weapon is loaded.
2. Keep your finger off the trigger until you are ready to shoot.
3. Do not let the muzzle point at anything you are not willing to destroy.
4. Know your target and what is beyond.

The ALG Defense Quality Mil-Spec (QMS) Trigger may lighten the trigger pull relative to a standard trigger. This lightened trigger pull will make the firearm easier to discharge. You must recognize and accept this fact before installing this trigger. If you do not want a lighter than standard trigger pull or are not willing to accept responsibility for the safety of your firearm, yourself, and those around you, do not install this trigger. ALG Defense recommends installation only by a certified gunsmith only.

INSTALLATION INSTRUCTIONS

1. Unload rifle and make safe.
2. Remove existing trigger and clean receiver. It is not necessary to remove the safety.
3. Install trigger and hammer springs as shown on exploded view on opposite side of this page. Note the correct orientation of the hammer spring.
4. Place a drop of lubricant in the trigger bores. Install disconnector into trigger trough using the short slave pin to hold disconnector in place.

5. Install trigger/disconnector and slave pin into rifle. Align trigger pin hole with receiver pin holes. Insert trigger pin into receiver, through trigger/disconnector while pushing out the slave pin thru the other side of the receiver.
6. Place a drop of lubricant in the bore of the hammer pivot.
7. Install hammer into receiver with hammer spring legs on top of the trigger pin. Insert hammer pin into receiver, through hammer, and into receiver on opposite side.
8. Apply a small amount of lubricant in the following locations as shown on page 2:
 - Each side of the disconnector above the trigger pin;
 - Hammer and trigger sears (grease recommended);
 - Face of the disconnector;
 - Hammer tail where it contacts the disconnector;
 - Top of each side of the hammer spring where the spring contacts the receiver wall.
9. Check safety operation: With the hammer cocked and the safety selector set to the SAFE position, pull the trigger hard. The hammer should not fall.
10. Check trigger reset: Set safety selector to FIRE. Dry fire weapon and keep trigger held back. Pull charging handle all the way back and release, letting the bolt carrier snap forward. The hammer should not fall. Release trigger. Hammer should be caught by the trigger.

Maintenance of the ALG Defense triggers consists of occasionally placing a drop of lubricant on the locations shown in #8 above. Recommended lubricant is CLP or equivalent; a high quality grease is recommended on the trigger/hammer.

When the trigger and lower receiver well become very dirty (such as when firing with a suppressor), it is not always necessary to remove the trigger group for cleaning. Spray down the trigger group with electrical contact cleaner to remove residual oil and dirt. Next, use compressed air to blow off the trigger group and then flush liberally with a light lubricant as CLP or equivalent. Blow off excess lubricant with compressed air and lubricate as noted above.

Contact ALG Defense with any questions.

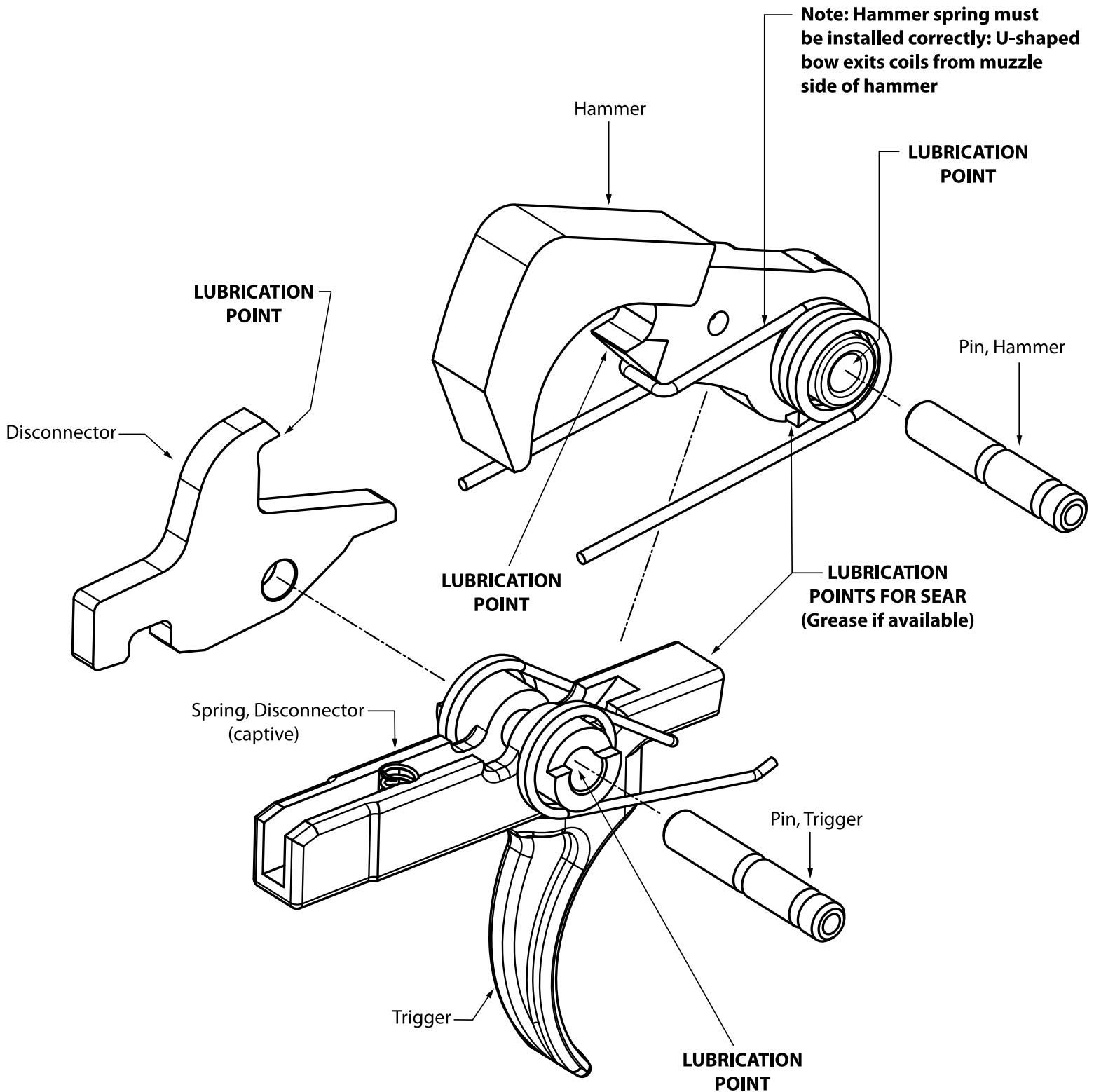
ALG Defense, Inc., 1920 W. Marshall Street, Suite B, Norristown, PA 19403
Tel: 610-635-8937 | Fax: 484-388-4373

E-mail: sales@algdefense.com | www.algdefense.com

ACT Instructions Revision 1

ALG Defense

Quality Mil-Spec (QMS) Trigger



ALG Defense

1920 W. Marshall Street, Suite B, Norristown, PA 19403 | Tel: 610-635-8937 | Fax: 484-388-4373

E-mail: sales@algdefense.com | www.algdefense.com