

## 6-SECOND MOUNT INSTALLATION INSTRUCTIONS

### READ THIS FIRST

Firearm safety is **YOUR** responsibility. You must memorize and put into practice the 4 Rules of Firearm Safety:

- 1. ASSUME EVERY WEAPON IS LOADED.**
- 2. KEEP YOUR FINGER OFF THE TRIGGER UNTIL YOU ARE READY TO SHOOT.**
- 3. DO NOT LET THE MUZZLE POINT AT ANYTHING YOU ARE NOT WILLING TO DESTROY.**
- 4. KNOW YOUR TARGET AND WHAT IS BEYOND.**

### A BRIEF DESCRIPTION OF THE 6-SECOND MOUNT

The ALG Defense 6-Second Mount was designed when a counter-terrorism unit approached ALG with a strict set of criteria. When entering a linear environment (such as an airplane or bus) the team's primary weapon was their pistol and they were looking for a fast sighting method that was rugged and robust. Red dot scopes mounted directly to the pistol slides were showing a high failure rate due to the extreme acceleration and deceleration of the slide. Additionally, the balance of the pistol was thrown off from the rearward optic mounting position.

The name 6-Second Mount came from a description used by one of the operators: "The fight lasts 6 Seconds, either they're dead or you're dead and aggression saves the day." Mounting an optic to your weapon decreases engagement time allowing for faster and more accurate hits on target. By separating the sight from the reciprocating slide it allows the pistol to function properly without the added mass of the optic sight and improves the overall weight distribution. Also, by removing the sight from the slide, the slide's integrity is not compromised by machining.

### PACKAGE CONTENTS

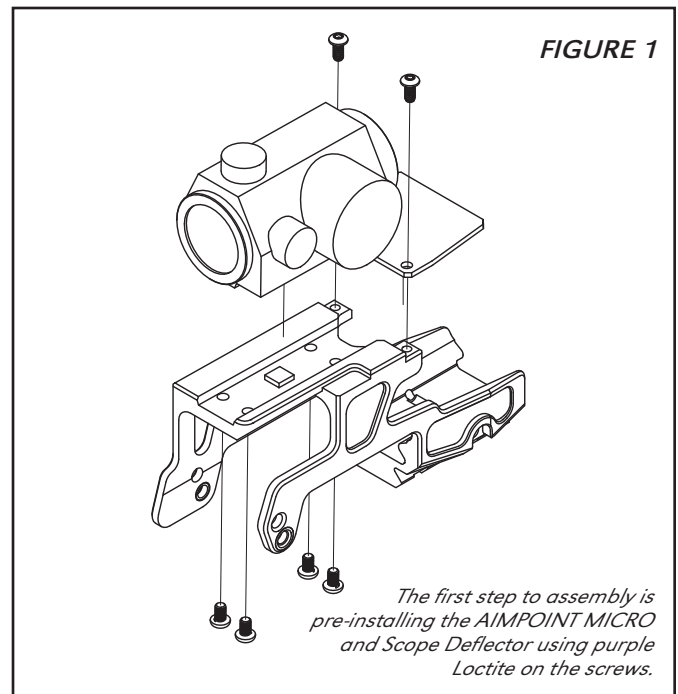
- 6-Second Mount
- Replacement trigger pin
- Blast Deflector
- Trigger pin retaining screws (2)
- Universal Mount attachment screw
- Blast Deflector screws (2)
- Screws for attaching AIMPOINT MICRO to 6-Second Mount (4)
- Instruction Sheet & Drawing

### ADDITIONAL TOOLS REQUIRED

- Glock Armorer's Tool or Geissele Trigger Fitting Pin
- Tool for removing rear sight
- (2) 1/16" Hex Keys
- 5/64" Hex Key
- 2mm Hex Key (for attaching AIMPOINT MICRO)
- Purple LOCTITE 222 low strength/small thread

### INITIAL ASSEMBLY

1. Install the Blast Deflector using the two Torx screws provided. Low strength purple Loctite will help retain the screws. A moderate amount of torque such as from a small-arm hex key is all that is required.
2. Next, seat the MICRO with the front of the sight towards the Picatinny section of the mount. The sight should seat down over the locking lug with a light press fit.
3. Using the 3mm screws supplied with the 6-Second Mount, screw the MICRO onto the mount (**FIGURE 1**). Apply a small amount of low strength Loctite to the screws and a moderate amount of torque to aid in retainment. **DO NOT** use the screws provided by the optics manufacturer.

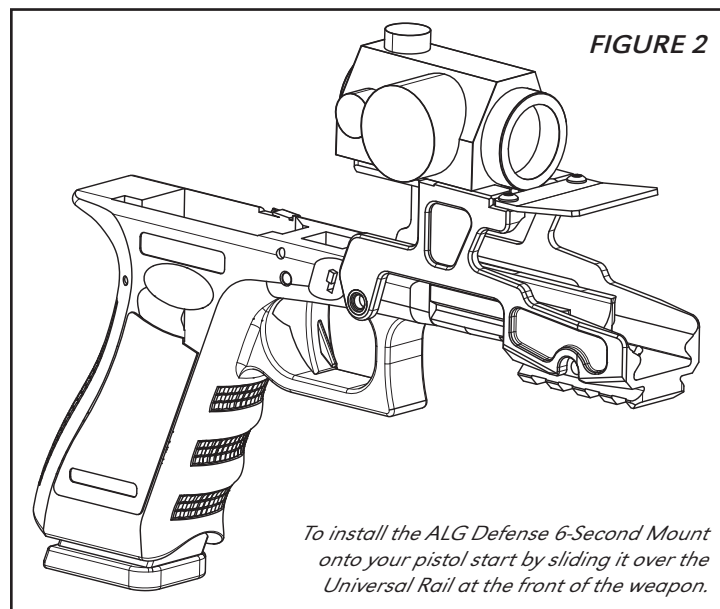


**PISTOL DISASSEMBLY**

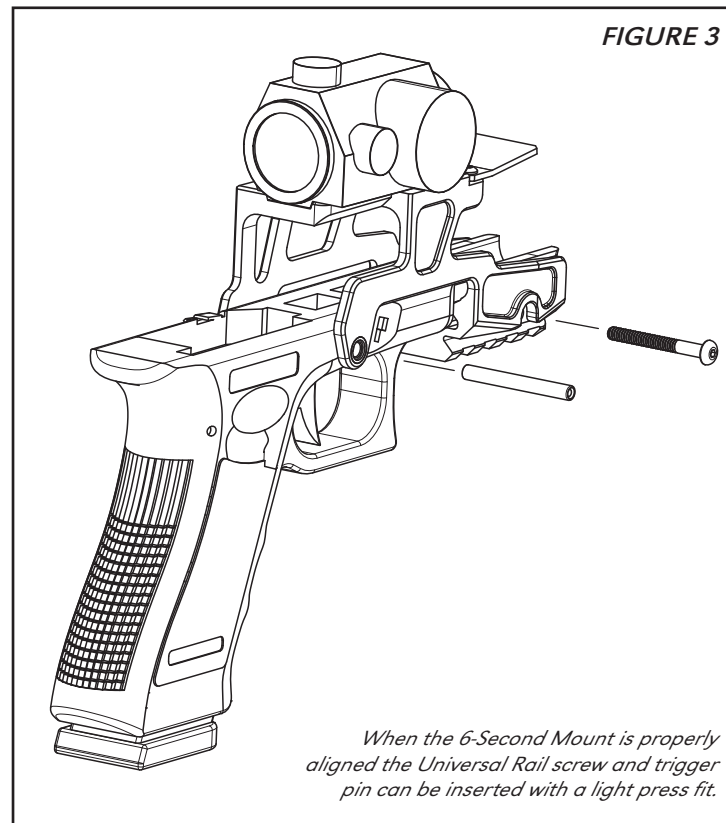
- Unload weapon and make safe.
- Follow the weapon manufacturer's procedure to remove the slide from the lower receiver.
- Remove the rear sight using a sight pusher or punch. If a stock front sight is used it may stay on the pistol. If a taller or longer aftermarket front sight is used it may need removed. (The removal of the rear sight was necessary to keep the MICRO sight as close to the bore as possible while allowing the slide to be removed for cleaning.)

**REASSEMBLY**

- Install the ALG Defense 6-Second Mount by sliding the mount from the front of the pistol frame over the Universal Rail of the Glock pistol (Figure 2). The mount should start with a light press fit and gradually increase in resistance.



- Add a small amount of purple Loctite to the Universal Rail attachment screw and install the screw through the hole at the front of the 6-Second Mount. Do not tighten the screw until the trigger pin has been installed.
- Next, remove the stock trigger pin. To do this apply light to moderate pressure to the pin using a Geissele fitting pin or Glock Armorer's Tool while wiggling the slide stop parallel to the frame. Wiggling the slide stop allows the retaining spring to move from the slot in the pin. **NOTE:** Applying extreme force or hammering the pin will cause permanent damage to the slide stop (Figure 3).
- Next, install the ALG Defense replacement trigger pin by pressing it through the mount and lower receiver. To guarantee the slide stop and trigger bow are lined up correctly it may be helpful to use a Geissele trigger fitting pin or a straight punch of the appropriate size. If a fitting pin is to be used, insert it through the slide stop and trigger bow along with both sides of the weapon. Then press through with the trigger pin; pushing the tool out of the way.



- With the trigger pin installed apply a small amount of purple Loctite to the pin retaining screws and insert the screws. Tighten the screws down using two small arm hex keys, one on each side. It is important to check the tightness of these screws after several magazines have been shot through the pistol.
- Lastly, tighten the Universal Rail attachment screw using a small arm hex key.
- Re-install the slide onto the lower receiver. The firearm is now ready for test firing.

**ZEROING THE 6-SECOND MOUNT OPTIC**

After attaching the optic to your mount the optic can be zero'd normally. However, if the optic is removed from the mount or the mount is removed from the weapon re-zeroing may be necessary.

**NOTE:** Installation of the 6-Second Mount may scuff or scratch the Glock pistol's plastic frame.

**Thank You For Your Purchase.**  
**Contact ALG Defense with any questions.**  
 ALG Defense, Inc. • 800 E. Walnut Street • North Wales, PA 19454  
**TEL:** 610.635.8937 | **FAX:** 484.388.4373  
**E-MAIL:** sales@algdefense.com | **WEB:** www.algdefense.com

| ITEM | QTY | PART NUMBER  | DESCRIPTION   |
|------|-----|--------------|---|
| 1    | 1   | 02-380       | MOUNT, 6-SECOND FOR AIMPOINT MICRO  |
| 2    | 1   | 02-172       | PIN, TRIGGER FOR 6-SECOND SCOPE MOUNT                                     |
| 3    | 1   | 02-239       | BLAST DEFLECTOR (OPTIONAL)  |
| 4    | 2   | 3-48 x 3/16  | CAP SCREW, BUTTON HEAD HEX KEY FOR RETAINING TRIGGER PIN                  |
| 5    | 4   | M3-0.5 x 5MM | CAP SCREW, BUTTON HEAD METRIC HEX KEY FOR ATTACHING AIMPOINT MICRO        |
| 6    | 2   | 4-40 x 1/4   | CAP SCREW, BUTTON HEAD HEX KEY FOR ATTACHING BLAST SHIELD                 |
| 7    | 1   | 6-32 x 1 1/4 | CAP SCREW, BUTTON HEAD HEX KEY FOR RETAINING MOUNT THROUGH UNIVERSAL RAIL |

**PHYSICAL PROPERTIES**

|                         |       |
|-------------------------|-------|
| SU                      | 0.3   |
| SY                      | 0.4   |
| EL                      | 0.020 |
| RA                      | 0.010 |
| BH                      | 0.003 |
| BASIS                   | NONE  |
| HEAT TREATMENT          | NONE  |
| FINAL PROTECTIVE FINISH | NONE  |

**UNLESS OTHERWISE SPECIFIED DIMENSIONS ARE IN INCHES TOLERANCES ON**

|           |      |
|-----------|------|
| ANGLES    | 0.3  |
| DECIMALS  | 0.4  |
| FRACTIONS | 1/32 |

**ORIGINAL DATE OF DRAWING** 12/22/2014  
**DRAFTSMAN** NPM  
**ENGINEER** WHG  
**APPROVED** WHG  
**UNIT VOLUME**  
**UNIT WEIGHT**

**ALG DEFENSE**  
 800 EAST WALNUT STREET, NORTH WALES, PA 19454  
**6-SECOND MOUNT FOR AIMPOINT MICRO**  
 REV A  
 DWG NO 05-281  
 SCALE  
 SHEET 1 OF 1

**THIS DRAWING IS PROPRIETARY AND CONFIDENTIAL**  
 THIS DRAWING HAS COPYRIGHT WHICH IS OWNED BY ALG DEFENSE NEITHER THIS DRAWING ITSELF NOR ARTICLE NOR COMPONENT ILLUSTRATED THEREIN MAY BE REPRODUCED IN WHOLE OR IN PART, IN ANY FORM WHATSOEVER WITHOUT PRIOR WRITTEN AUTHORITY FROM ALG DEFENSE. THIS DRAWING HAS BEEN DELIVERED ON THE UNDERSTANDING THAT IT IS TO BE USED ONLY FOR THE PURPOSES OF ALG DEFENSE AND WILL BE RETURNED ON DEMAND.

