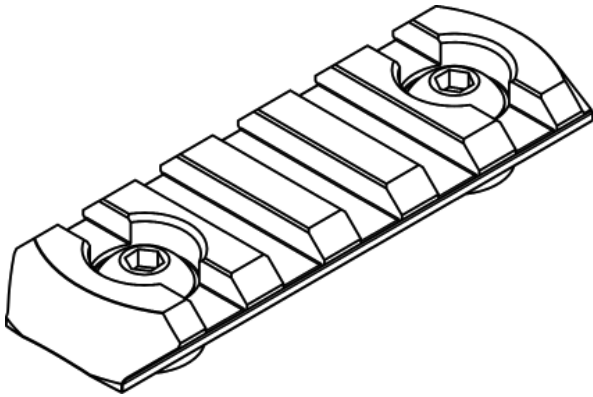


Co-Witness Accessory Rail

For Ergonomic Modular Rail (EMR) M-LOK Installation Instructions



ALG Defense

READ THIS FIRST

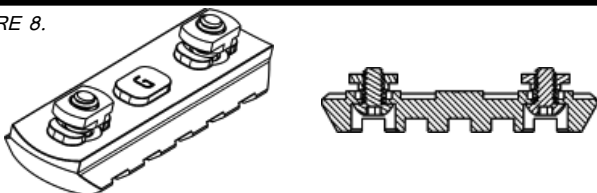
Firearm safety is **YOUR** responsibility. You must memorize and put into practice the 4 Rules of Firearm Safety.

1. Assume every weapon is loaded.
2. Keep your finger off the trigger until you are ready to shoot.
3. Do not let the muzzle point at anything you are not willing to destroy.
4. Know your target and what is beyond.

The EMR M-LOK Accessory Rail has been designed using Magpul's advanced M-LOK modular locking accessory mounting system. This system allows the user to easily add or remove accessories based on mission requirements using a 1/8" hex key. Be sure to read the instructions below carefully, improper installation may cause permanent damage to your rail that is not covered by the ALG Defense warranty.

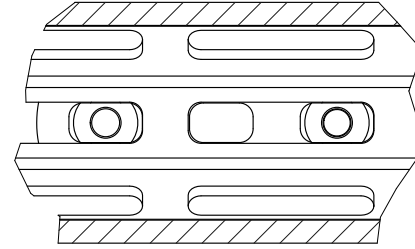
1. To install make sure the nut is started onto the bolt with at least 1 full thread showing out the back of the nut (Figure 8.). If one full thread is not showing, there is a chance that the M-LOK nut will not cam into the M-LOK slot properly. If this occurs and the screw is tightened, the M-LOK nut can pull through the rail leaving a gash in the rail and causing a burr in the surface.

FIGURE 8.



2. Align the nut with the recoil lugs so they pass through the M-LOK slots. (Figure 9.)

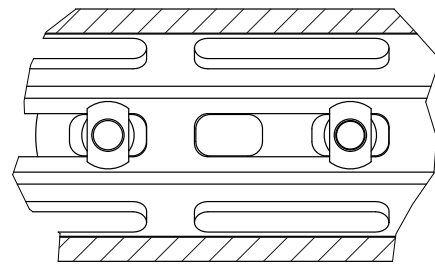
FIGURE 9.



Detail view showing the camming t-nuts unlocked and ready to insert or remove the accessory.

3. Begin to tighten the 1/8" 1 full turn with the hex key. The cammed t-nut will rotate, tighten, and eventually lock into place retaining the accessory on the handguard. Additional torque can be applied to hold the accessory in place. (Figure 10.)

FIGURE 10.

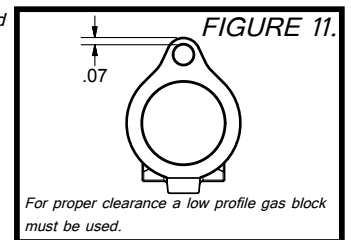


Detail view showing the camming t-nuts locked in place to retain the accessory.

Removing the accessory requires 1 turn counterclockwise. The cammed t-nut will align with the recoil lugs on the accessory allowing the accessory to come off the rail. Care should be taken to not remove the nut from the bolt or M-LOK accessory. Loosening the screw further than 1 turn may result in permanent damage to the rail due to the issues described in Step 1.

4. When attaching accessories in the 12 o'clock position, modification of the M-LOK screw of the accessory you are attaching may be required. Check to make sure that the screw on the accessory that protrudes through the back of the M-LOK nut does not make contact with your low-profile gas block. It may be necessary to trim the length of the screw so that it is flush with the M-LOK nut when tightened to allow proper clearance for your low-profile gas block.

NOTE: If accessories will be mounted in the 12 o'clock position, such as a front sight or flashlight mount, a true low-profile gas block must be used. To ensure proper fitment there must be a maximum of .07" of material or less on top of the gas tube port of the gas block (Figure 11.).



Thank you for purchase. Contact ALG Defense with any questions.

ALG Defense Inc.
800 East Walnut Street
North Wales, PA 19454
(610) 635-8937 | (484) 388-4373
ALGDEFENSE.COM